

L200

Standard Equipment



L200 Double Cab 2.4 DI-D 154PS 4WD 6MT AS&G Business
L200 Double Cab 2.4 DI-D MIVEC 181PS 4WD 6MT Intense

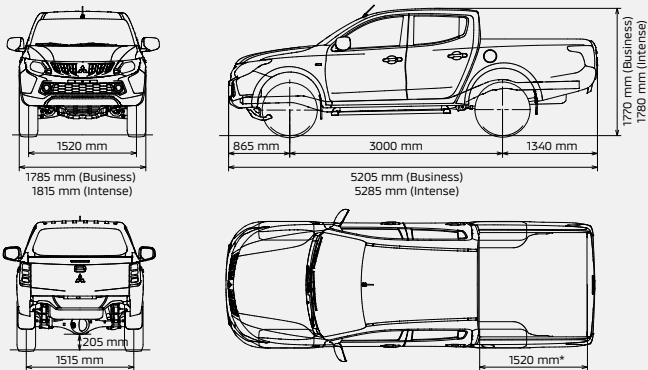
L200 Double Cab 2.4 DI-D MIVEC 181PS 4WD 5AT Intense
L200 Double Cab 2.4 DI-D MIVEC 181PS 4WD 6MT Black Line

Exterior Styling	Business	Intense	Black Line
16" Steel Wheels	●		
17" Alloy Wheels 245/65 R17 with Full size spare wheel		●	
Bi-Xenon Headlights with Headlamp washers	●	●	●
LED Type DRL's		●	●
Front Fog Lights with Silver painted bezel		●	●
Privacy Glass, Rear windows		●	●
Rain Sensor Wipers		●	●
Dusk Sensor Lights		●	●
Chrome Plated Exterior Door Handles, Rear Tailgate Handle & Door Mirror Housing		●	
Dark Chrome Front Grille		●	
Silver painted Front Bumper Under Garnish		●	
Front Skid Plate	●	●	●
Rear Step Bumper (Silver painted)		●	
Side Steps, Bar-type Chrome Plated	●	●	
Mudguards, Front & Rear	●	●	●
Black Line: 17" Black Alloy Wheels 245/65 R17 with Full size spare wheel, Bi-Xenon projector headlights with LED DRL's, Front Fog Lamps, Black Door Mirrors, Black Door Handles & Rear Tailgate Handle, Black Front Grille, Black Front Bumper Center, Black Fender Flares, Black Rear Step Bumper, Black Side Steps, Keyless Operation System			●

Comfort & Convenience	Business	Intense	Black Line
Power Windows, Front & Rear, Anti-trapping with Auto up/down [DRV side]	●	●	●
Electric / Heated / Folding Door Mirrors		●	●
Door Mirrors with indicators		●	●
Remote Central Locking with Keyless Entry (2 Keys)	●	●	
Keyless Operation System (KOS)			●
Air-Conditioning, Automatic		●	●
Cruise Control with Speed Limiter	●	●	●
Bluetooth Handsfree System with Voice Control, USB Port	●		
Bluetooth Handsfree System, HDMI Port		●	●
Smartphone Link Display Audio (SDA) with 7" Touch Screen Display featuring Apple CarPlay and Android Auto, 6 Speakers, Voice Control and FM/AM/DAB RadioNEW		●	●
USB Port (x2 for Intense & Black Line Models)	●	●	●
Audio LW/MW/FM, CD, MP3 with 4 Speakers	●		
Rearview System		●	●
Remote Audio Controls	●	●	●
Auto Dimming Rear View Mirror		●	●
Height Adjustable Driver's Seat	●	●	●
Rear Heater Duct For Second Row		●	●
Paddle Shift Gear Change (Automatic Only)		●	
Tilt & Telescopic Steering Wheel Adjustment		●	●
Ashtray & Cigarette Lighter	●	●	●
12v Accessory Socket	●	●	●

Interior Styling & Storage	Business	Intense	Black Line
4-Spoke Leather Wrapped Steering Wheel & Gear Knob	●	●	●
Rear Bench Seat	●	●	●
Front Centre Armrest with Integrated Storage	●	●	●
Rear Centre Armrest with Cupholder x 2	●	●	●
Piano Black Centre Panel, Floor console panel & Window switch panel		●	●
Silver Painted Air Outlet Surround		●	●
Chrome Interior Door Handles		●	●
Cupholders x 4, Front & rear & Bottleholders x 4, Front & rear door trims	●	●	●
Sunglass Pocket	●	●	●
Seat Back Pocket for Driver & Passenger Seat	●	●	●
Front & Rear Room Lamp with Map Lamp	●	●	●

Safety & Security	Business	Intense	Black Line
ABS with EBD and Brake Assist	●	●	●
Active Stability & Traction Control System	●	●	●
Speed Sensitive Auto Door Lock	●	●	●
Hill Start Assist [HSA]	●	●	●
Lane Departure Warning (LDW)		●	●
Trailer Stability Assist [TSA]	●	●	●
Rear Differential Lock	●		
Easy Select 4WD	●		
Super Select 4WD-II		●	●
Emergency Stop Signal System [ESS]	●	●	●
Front, Side, Curtain Airbags with Passenger Airbag Cut off Switch	●	●	●
Drivers Knee Airbag	●	●	●
Child Locks Rear Doors	●	●	●
ISO-fix Child Seat Attachment x 2 & Tether anchor x 2	●	●	●
3-Point ELR Seatbelts, Front with Pretensioner & Force Limiter (Double on Drv side)	●	●	●
3-Point ELR Seatbelts, Rear (3) with Pretensioner & Force Limiter x 2	●	●	●
Lockable Glovebox	●	●	●
Electronic Immobiliser	●	●	●



* Measured from bottom of bed

- WARNING**
- Individuals who use implantable pacemakers or implantable cardioverter-defibrillators should keep away from the keyless operation system. The electromagnetic waves used in the keyless operation system may affect the operation of implantable pacemakers and implantable cardioverter-defibrillators.
 - Individuals using other electro-medical apparatuses should check with the manufacturer of the apparatus to confirm the effect of the electromagnetic waves used by the keyless operation system, as the electromagnetic waves may affect their operation.

L200

Technical Specifications



MODEL	L200 Double Cab 2.4 DI-D 4WD Business 6-Speed Manual	L200 Double Cab 2.4 DI-D 4WD Intense/Black Line 6-Speed Manual	L200 Double Cab 2.4 DI-D 4WD Intense 5-Speed Automatic
Dimensions & Weights			
Overall Length (mm)	5,205	5,285	5,285
Overall Width (mm)	1,785	1,815	1,815
Overall Height (mm)	1,775	1,780	1,780
Wheelbase (mm)	3,000		
Track	Front (mm)	1,520	
	Rear (mm)	1,515	
Bed Interior Length (mm)	1,520		
Bed Interior Width (mm)	1,470		
Bed Interior Height (mm)	475		
Min. Ground Clearance (mm)	200	205	205
Cargo Floor Height (mm)	845	850	850
Curb Weight (kg)	1,855	1,860	1,860
Gross Vehicle Weight (kg)	2,900	2,905	2,910
Payload (kg)	1,045	1,045	1,050
Max. Axle Load	Front (kg)	1,260	
	Rear (kg)	1,840	
Minimum Turning Radius (m)	5.9		
Towing Capacity	with brake (kg)	3,100	
	w/o brake (kg)	750	
Seating Capacity (persons)	5		
Engine			
Type	4N15 D4 DI-D Common Rail I/C T/C AS&G	4N15 D4 MIVEC I/C T/C HP	4N15 D4 MIVEC I/C T/C HP
Construction	Longitudinally mounted 4-cylinder, 4-stroke Turbo diesel direct injection engine with intercooler, 4 valves per cylinder	DOHC In-line 4-cylinder, 4-stroke, Turbo diesel Common rail fuel injection, 4 valves per cylinder	DOHC In-line 4-cylinder, 4-stroke, Turbo diesel Common rail fuel injection, 4 valves per cylinder
Total Displacement (cc)	2,442		
Bore x Stroke (mm)	86.0 x 105.1		
Emission Level	Euro6b		
Compression Ratio	15.5:1		
Max Output (kW(PS)/rpm)	113 (154) / 3,500	133 (181) / 3,500	133 (181) / 3,500
Max Torque (Nm/rpm)	380 / 1,500-2,500	430 / 2,500	430 / 2,500
Performance			
Fuel Economy (l/100km)	Urban	8.2	9.1
	Extra-urban	6.1	6.6
	Combined	6.9	7.5
CO2 Emissions (g/km)	180	186	196
Acceleration, 0-100 km/h (sec)	n/a	10.4	11.8
Max. Speed (km/h)	174	179	177
Fuel System			
Fuel Type	Diesel		
Fuel Tank Capacity (litre)	75		
Transmission			
Clutch	Dual, dry plate with diaphragm spring	Dual, dry plate with diaphragm spring	Torque converter
Type	6-Speed Manual	6-Speed Manual	5-Speed Automatic
Gear Ratio	1st	4.280	3.520
	2nd	2.298	2.042
	3rd	1.437	1.400
	4th	1.000	1.000
	5th	0.776	0.716
	6th	0.651	-
	Reverse	3.959	3.224
Transfer Gear Ratio	High	1.000	
	Low	2.566	
Final Gear Ratio	3.692	3.692	3.917
Steering			
Type	Rack & pinion with power steering		
Suspension			
Front	Independent wishbone, coil springs		
Rear	Rigid axle, elliptic leaf springs		
Brakes			
Front	Ventilated discs 16"		
Rear	Leading & trailing drums 11.6"		