

1.6 Petrol 117PS 2WD 5MT Intense

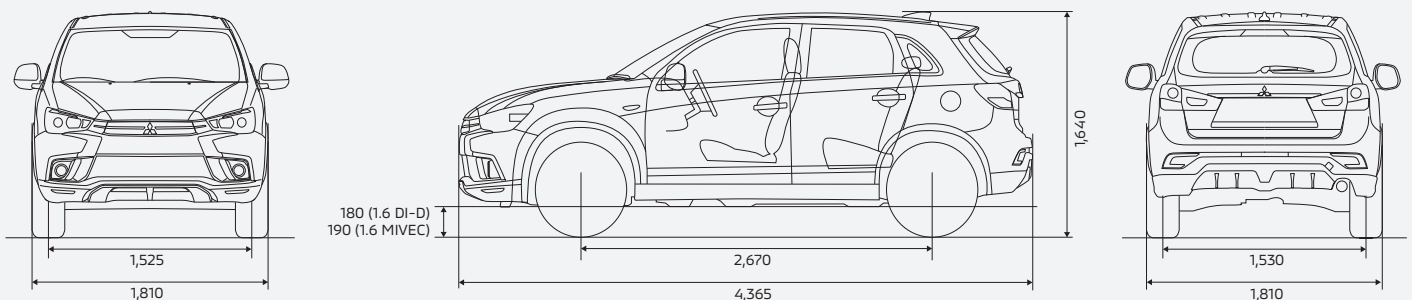
1.6 DI-D 114PS 2WD 6MT AS&G Intense

Exterior	Intense
18" Alloy Wheels	●
Rain Sensor Wipers	●
LED Daytime Running Lights (DRL)	●
Front foglights	●
Automatic Light Control	●
"Coming Home" & "Welcome Home" Lights	●
Privacy Glass, Rear	●
Roof Rails (Black)	●
Colour-keyed Outer Door Handles, Door Mirrors & Rear Spoiler	●
LED Rear Combination Lights & High-Mount Stop Light on Rear Spoiler	●
Electrically Controlled & Retractable Heated Door Mirrors	●
Side Indicator Integrated Door Mirror Housing	●
New Design Front and Rear Bumper & New Dynamic Shield Front Grille	●
Chrome Beltline Mouldings & Chrome Tailgate Garnish	●
Shark Fin Antenna	●
Front Bumper Skid Plate	●
Wheel Arch Garnish	●
Tyre Repair Kit	●

Interior Styling & Storage	Intense
Multi-function Leather Steering Wheel & Gearshift Knob	●
Sun Visors with Vanity Mirrors, Lid, Illumination & Ticket Holder, Driver & Passenger	●
Aluminium Pedals	●
Front Room Lamp with Map Lamp, Rear & Cargo Room Lamp	●
Gloss Black Centre Panel Decoration	●
Chrome Inner Door Handles	●
Carbon Pattern Centre Console Accent Panel	●
High-Grade Block Pattern Fabric Seat Upholstery with Red Contrast Stitching	●
Rear Seats 60:40 Split Foldable Seat Back	●
PVC Leather Front Centre Armrest with Soft Touch Knee Pad & Front Console Box with Tray	●
Air Outlet Knob, Chrome surround	●
Cupholders, Front & Rear x2	●
Bottle Holder, Front door trim x2	●
Cargo Room Floor Box & Floor Hooks x 4	●

Comfort & Convenience	Intense
Smartphone Link Display Audio (SDA) with 7" touchscreen featuring Apple CarPlay and Android Auto™ and AM/FM & DAB Radio	●
USB Port / iPod Connectivity x2	●
Height Adjustable Drivers Seat	●
6 Speakers	●
Air Conditioning, Automatic	●
Bluetooth Handsfree System with Voice Control	●
Auto Dimming Rear View mirror	●
Accessory Socket x 2	●
Cruise Control	●
Rearview Camera for Reversing	●
Rear Parking Sensors	●
Electric Windows, Front & Rear with Auto up/down anti-trapping function (Driver side)	●
Tilt & Telescopic Adjustable Steering Wheel	●
Remote Central Locking with Keyless Entry System	●
Hi-contrast Combination Meter Cluster with Colour LCD & Multi-information Display	●

Safety	Intense
Anti-lock Brake System (ABS) with Electronic Brakeforce Distribution (EBD) & Brake Assist	●
Active Stability Control (ASC) with Traction Control (TCL)	●
Hill Start Assist (HSA)	●
Emergency Stop Signal System (ESS)	●
Front & Side Airbags (Driver & Front Passenger); Driver Knee Airbag; Curtain Airbags (1st & 2nd row)	●
Reinforced Impact Safety Evolution (RISE) body SRS airbag	●
Passenger Airbag Cut-off Switch	●
Electronic Immobiliser	●
3-Point Seat Belt x 5 with Pretensioner and Force-limiter Front x2	●
ISOfix Child Seat Anchor x 2, Rear Door Child Locks	●
Tyre Pressure Monitoring System	●
Tonneau Cover	●





Technical Specifications



MODEL		ASX 1.6 Petrol 5-Speed Manual	ASX 1.6 DI-D 6-Speed Manual AS&G
Engine			
Type		1.6 MIVEC	1.6 I/C T/C Diesel AS&G
Total displacement (cc)		1,590	1,560
Max output (EEC net) (kW(PS)/rpm)		86(117)/6,000	84(114)/3,600
Max torque (EEC net) (Nm/rpm)		154/4,000	270/1,750
Performance			
Acceleration, 0-100 km/h		11.5	11.2
Max speed (km/h)		183	182
Fuel consumption (lit/100km)	Combined	7.5 (WLTP)	4.6
CO2, combined (g/km)		169 (WLTP)	119
Towing capacity	with brake (kg)	1,200	1,400
	w/o brake (kg)	665	695
Fuel System			
Fuel type		Unleaded / RON95	Diesel
Fuel supply equipment		Electronically Controlled Injection	Electronically Controlled Injection (Common Rail System)
Fuel tank capacity (litre)		63	60
Transmission			
Gear Ratio	1st	3.727	3,833
	2nd	1.947	2,047
	3rd	1.343	1,303
	4th	0.976	0.975
	5th	0.804	0.744
	6th	-	0.659
	Reverse	3.727	3.545
	Final	4.333	4.058
Suspensions			
Front		MacPherson strut	
Rear		Multi link	
Brakes			
Front		Ventilated disc brakes	
Rear		Disc brakes	
Steering			
Type		Rack and pinion with electronic power assist	
Dimensions & Weights			
Overall length (mm)		4,365	
Overall width (mm)		1,810	
Overall height (mm)		1,640	
Wheelbase (mm)		2,670	
Kerb weight (kg)		1,260	1,380
Gross vehicle weight (kg)		1,870	1,980