

OUTLANDER BUSINESS

Standard Equipment



Outlander 2.2L DI-D 4WD 150PS 6MT 2-Seat Business AS&G

Exterior

16" Alloy Wheels, 215/70R16 Tyres	●
Electric Heated, Adjustable & Folding Door Mirrors	●
LED Daytime Running Lights, Welcome & Coming Home Lights	●
LED Rear Combination Lamps & High-mount LED Brake Lights	●
Front Foglights	●
Rain Sensor Window Wipers / Auto Light Control	●
Silver Roof Rails	●
Chrome Front Grille & Chrome Beltline Mouldings	●
Colour-keyed Front & Rear Bumpers & Outer Door Handles & Door Mirrors with Side Turn Lamps	●
Sharkfin Antenna	●
Privacy Glass for Rear Doors, Quarter Panels & Tailgate	●
Rear Mudguards	●
Space Saver Spare Wheel (T155/90D16)	●

Interior Styling & Storage

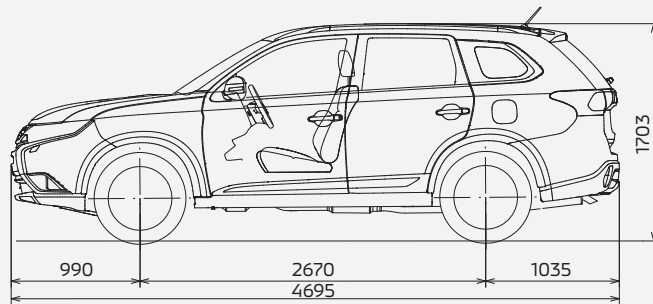
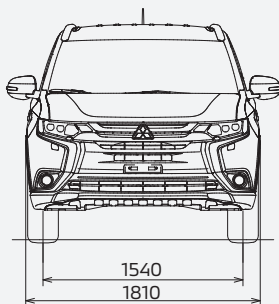
Multi-functional Leather Wrapped Steering Wheel with Piano Black Garnish / Leather Gear Shift Knob	●
Gloss Black Surround on Centre Panel	●
Silver Trim on Door Panels & Air Outlets	●
Front Centre Armrest Including Storage & Pocket Tissue Holder & Pen Holder	●
Cup Holders & Bottle Holders	●
Foot Lamp & Ambient Light & Console Box Illumination	●
Sunglass Pocket in Roof Lining	●

Comfort & Convenience

Power Windows, with Anti-Trapping Function & Auto Up/Down on Drivers Side	●
Remote Central Locking with Keyless Entry System x 2 Transmitters	●
Bluetooth Handsfree System with Voice Control & Steering Wheel Switch	●
Cruise Control with Speed Limiter Function	●
Tilt & Telescopic Steering Wheel Adjustment	●
Dual Zone Automatic Air Conditioning with Dust & Pollen Filter	●
Touch Screen Audio Display with LW/MW/FM/Radio, CD/MP3 and 6 Speakers	●
Remote Audio Controls	●
USB Port / iPod Connectivity	●
Rear View Camera & Rear Parking Sensor	●
Auto Dimming Rearview Mirror	●
Height Adjustable Driver's Seat	●
"High Contrast" Meter Cluster with LCD Multi-information Display	●
Drive Mode Selector on Centre Console	●
12V Accessory Socket x3	●
Illuminated Vanity Mirrors with Lid	●

Safety

Anti-lock Braking System (ABS) with Electronic Brake Distribution (EBD) & Brake Assist	●
Emergency Stop Signal System (ESS)	●
Active Stability Control (ASC) with Traction Control (TCL)	●
Hill Start Assist (HSA)	●
Multi-Select 4WD (On-demand 4WD with 4WD ECO & 4WD Lock Mode)	●
Electronic Immobiliser	●
Front, Side & Curtain Airbags (Driver & Front Passenger); Driver Knee Airbag	●
Tyre Pressure Monitoring System (TPMS)	●
3-Point ELR Seatbelts with Pretensioners & Force Limiters x 2	●



All measurements in millimetres.

OUTLANDER BUSINESS

Technical Specifications



MODEL	Outlander 2.2L DI-D 4WD 6-Speed Manual Business	
Dimensions & Weights		
Overall Length (mm)		4,695
Overall Width (mm)		1,810
Overall Height (mm)		1,703
Wheelbase (mm)		2,670
Seating Capacity (Persons)		2
Cargo Area Capacity to Seat Back Height (litre)		1,341
Cargo Area Capacity to Roof Lining (litre)		2,068
Kerb Weight (kg)		1,520
Gross Vehicle Weight (kg)		2,260
Maximum Loading Capacity on the Roof Rails (kg)		80
Engine		
Type	Intercooled Turbocharged Diesel With AS&G (4N14)	
Total Displacement (cc)	2,268	
Bore x Stroke	86 x 97.6	
Max Output (EEC Net) (kW(PS)/rpm)	110 (150) / 3,500	
Max Torque (EEC Net) (Nm/rpm)	380 / 1,750 - 2,500	
Performance		
Acceleration, 0-100 km/h (sec)		10.2
Max Speed (km/h)		200
Fuel Consumption (l/100km)	Urban	6.2
	Extra Urban	4.8
	Combined	5.3
CO2, combined (g/km)		139
Towing Capacity	with Brake (kg)	2,000
	w/o Brake (kg)	750
Fuel System		
Fuel Type	Diesel	
Fuel Supply Equipment	Electronically Controlled Injection (Common Rail System)	
Fuel Tank Capacity (litre)	60	
Transmission		
Type	6-Speed Manual	
Clutch Type	Dry, Single With Hydraulic, Push Type	
Gear Ratio	1st	3.818
	2nd	1.913
	3rd	1.218
	4th	0.860
	5th	0.790
	6th	0.638
	Reverse	4.139
	Final	4.058 (1st-4th) 3.450 (5th-6th, Reverse)
Suspension		
Front	Macpherson Strut	
Rear	Multi Link with Stabilizer	
Brakes		
Front	16" Ventilated Disc Brakes (2-Pot)	
Rear	16" Solid Disc Brakes	
Brake Booster Size	10" Master Vac Vacuum Booster	
Steering		
Type	Rack & Pinion with Electronic Power Assist	